

Mountings

Cart Assembly Instructions (JCP3, JCN3, WCP3 & WCN3)

Carton contains the following components for the cart mounting:
Please check to be sure that all parts are included before proceeding.
Contact your dealer or the factory if any parts are missing.

CART HARDWARE	WCP3	WCN3	JCP3	JCN3
Long Legs	2	2	2	2
Short Legs	2	2	2	2
Lower Shelf Frame	1	1	1	1
Stainless Grease Cup	1	1	1	1
8" Rubber Wheels	2	2	2	2
Axle 22 1/2"	1	1	1	1
Axle Hitch Pins	2	2	2	2
Axle Washers	2	2	2	2
Hub Caps	2	2	2	2
Hose Retaining Ring	1	1	1	1
1/4-20x1-1/2 Slotted Bolt	10	10	8	8
1/4-20x3/4 Slotted Bolt	2	2	4	4
1/4-20 Kep Nut	10	10	8	8
10-24x1/2" Rd.Hd. Slot	1	1	1	1
10-x24 Kep Nut	1	1	1	1
12' Nat. Gas Hose Kit	N/A	1	N/A	1

Tank Ring Kit

Tank Ring	1	N/A	1	N/A
1/4-20x1-1/2" Slotted Bolt	1	N/A	1	N/A
1/4-20x 3/4" Hex Bolt	1	N/A	1	N/A
1/4-20 Thumb Screw	1	N/A	1	N/A
1/4-20 Kep Nut	3	N/A	3	N/A

Complete View of Cart Assembly

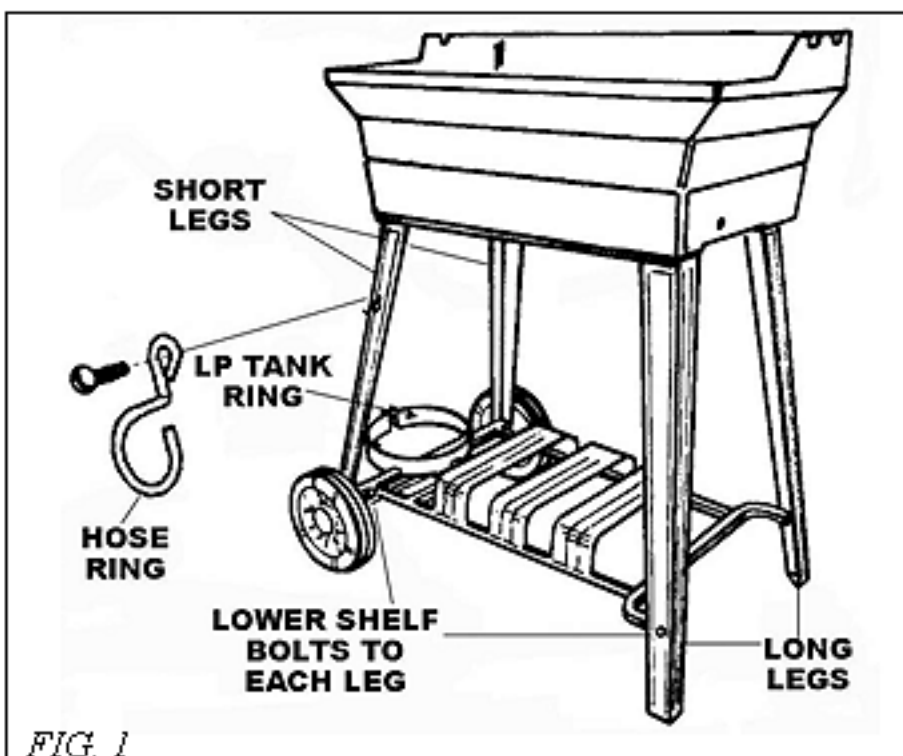


FIG. 1

Step 1: Leg Assembly (Fig 2)

1. Tip the grill head bottom on end as shown in Fig. 2 (TIP: work on protected area such as: carpet, tarp or one of the boxes to protect cart finish).
2. Attach the two short legs to the left end of the grill head bottom with the "Hose Ring Hole" leg facing grill front. **Note: The short legs are stamped on the inside (Front or Back).** Use two 1/4-20x1-1/2" slotted bolts for each leg. Insert bolts from inside grill box, attach leg and fasten with 1/4-20 Kep nuts.
3. Attach the two long legs to the right end of the grill head bottom. Use two 1/4-20x1-1/2" slotted bolts for each leg, insert bolts from inside grill box, attach leg and fasten with 1/4-20 Kep nuts.
4. Attach the hose clamp ring to the front left short leg with the 10x24x1/2" Rd. Hd. slotted bolt.

FINGER TIGHTEN ALL BOLTS UNTIL LOWER SHELF IS ATTACHED.

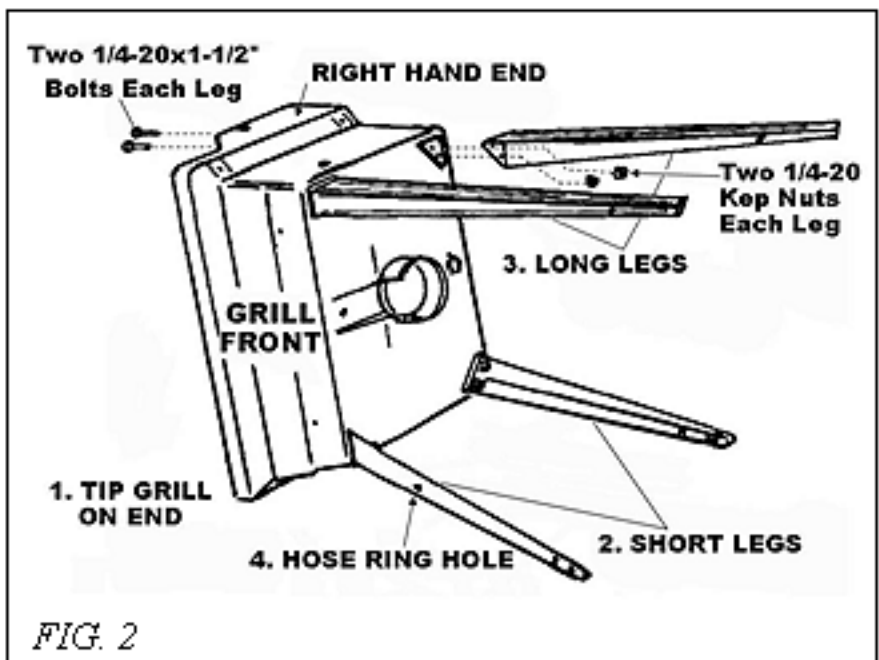


FIG. 2

Step 2: Lower Shelf and Axle Assembly

1. Bolt shelf to the (4) legs as follow:
 - (A) WCP and WCN (Fig. 3) carts uses (2) 1/4-20x 1-1/2" slotted bolts and Kep nuts to fasten the frame to the long legs and (2) 1/4-20x3/4" slotted head bolts to fasten the frame to the short legs.
 - (B) JCP and JCN (Fig. 4) carts use (4) 1/4-20x 3/4" slotted head bolts to fasten the frame at all 4 corners.

Note: Do Not Completely Tighten At This Point

2. Install (1) axle hitch pin into the small end hole and install washer. Slide (1) wheel onto axle, hubcap side out.
3. Slide open axle end through the short leg holes and install remaining wheel, washer and hitch pin. Install hubcaps after the cart bolts are completely tightened.

Stand grill upright to seat legs and tighten all bolts and nuts making legs and frame rigid. Recheck fasteners for tightness.

Step 3: WNK4 Lower Shelf Assembly (Fig. 3)

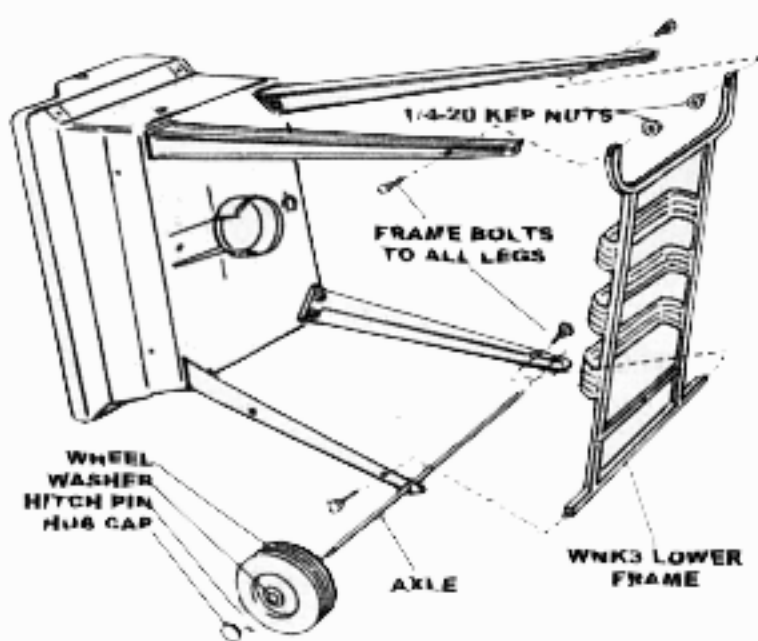


Fig. 3

Step 3: JNR4 Lower Shelf Assembly (Fig. 4)

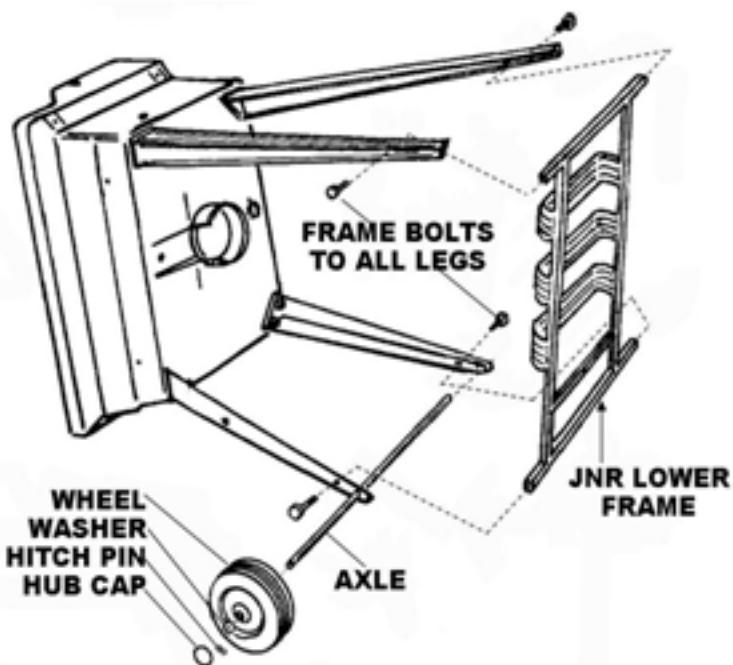


Fig. 4

Step 3: Tank Holder Ring Assembly For LP Gas Models (Fig. 5)

1. The LP Tank Holder Ring Connects to the lower shelf cross frame with the ring notches resting on the axle frame.
2. Align the rear tank ring-fitting hole over the lower cross frame hole. Insert a 1/4-20x5/8" slotted bolt through the top and fasten with a 1/4-20 Kep nut from below.
3. Fasten the thumb screw (1/4-20x3/4") to the tank ring fitting with the 1/4-20 Hex nuts. The Hex nut slips into the captive slot on the tank ring fitting.
4. Use a 1/4-20x1-1/2" slotted bolt and a 1/4-20 Kep nut to connect the tank holder flanges together.

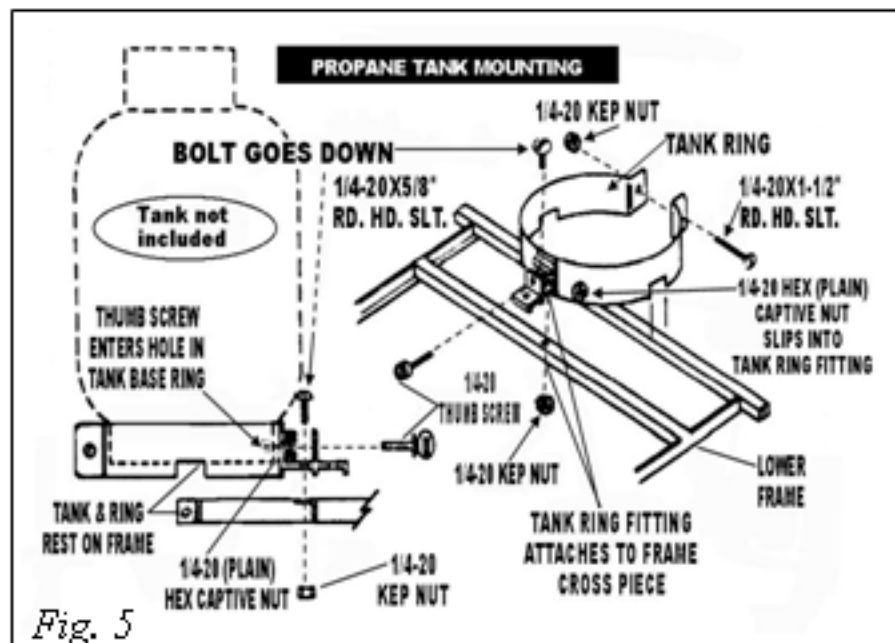


Fig. 5

For Natural Gas Models

(Note: Tank Holder Ring is not Included With Natural Gas Models).

Natural Gas Models

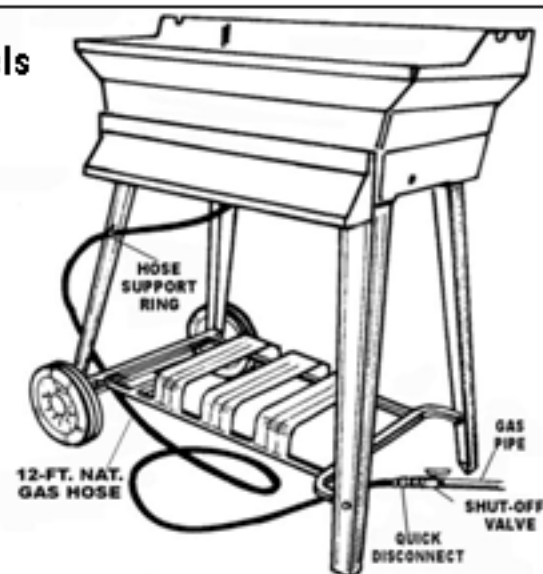


Fig. 6

If the grill is to use Natural Gas from the supplied 12-foot hose (Fig. 6): the hose must pass through the hose ring (See Fig. 1). The hose will have a quick-disconnect fitting at the source and the source will have a gas shut off valve with easy access.

When you have completed the mounting assembly go to the appropriate Grill Assembly Section and Assemble the grill head.