

Mountings

Stainless Steel and Aluminum Column Assembly Instructions

- The JNR, WNK or TJK model grills may be mounted on the Column.
- The gas supply may be either LP or Natural.
- The grill head should not be attached to the Column until the console is completely assembled.
- The Column comes in two cartons—Box A contains the console and all associated hardware. Box B contains either the pedestal or cart base and all base hardware.

Please check to be sure that all parts are included before proceeding. Contact your dealer if any parts are missing.

Parts Quantity

BOX A

Stainless Steel Front Panel	1
Stainless Steel or Aluminum Column	1
Stainless Grease Cup	1
Tank Lock Bar	1

Hardware Kit

Nylon Lock Bar Spacers	2
¼ - 20x1¼" S.S. Hex Head Bolts	4
¼ - 20 S.S. KEP Nuts	12
¼ S. S. Washers	10
¼ - 20 x ¾" S.S. Hex Bolts	8
Rectangular Washers	4
2-piece Gasket	1

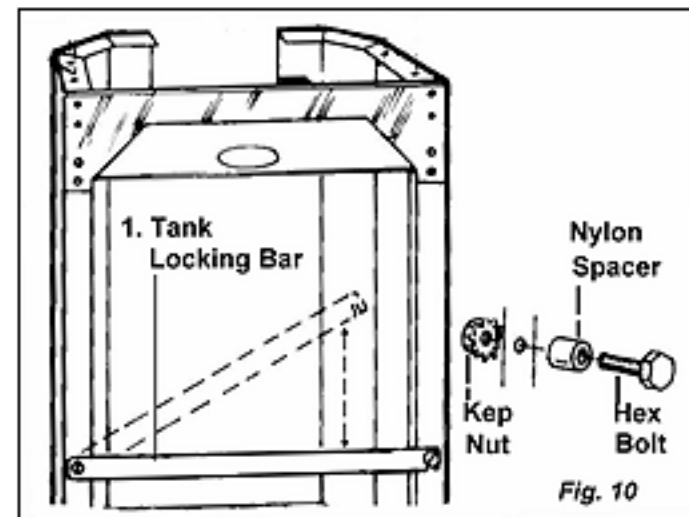
BOX B

Cast Aluminum Base	1
12' Nat. Gas Hose/Quick Discount	1 (Cart Nat. Gas Only)
Stainless Steel Flexible Tubing, 28"	1 (Pedestal Nat. Gas Only)
Axle	1 (Cart Only)
Axle Clips	2 (Cart Only)
6" Wheels	2 (Cart Only)
Hub Caps	2 (Cart Only)

Note: While assembling, peel the thin white protective film covering from the stainless steel surfaces, especially in areas which will be partially hidden after assembled. **Do Not Scrape off.**

Step 1: Connect the Tank Locking Bar (Fig. 10)

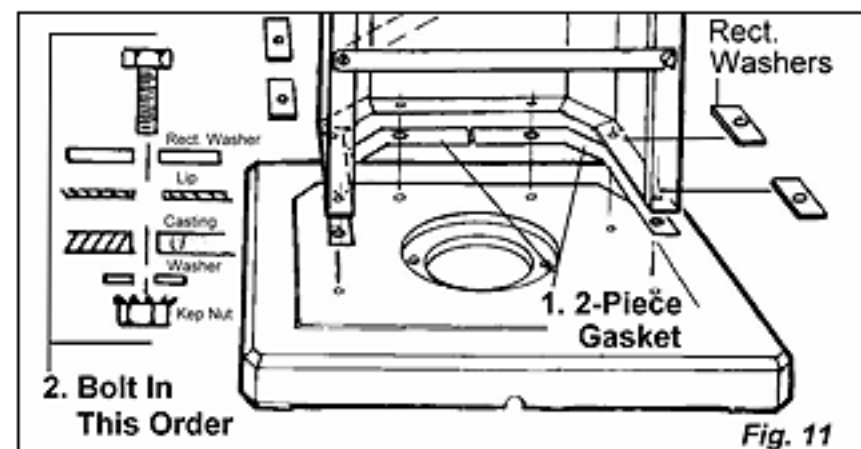
1. From box "A" locate and attach the Tank Lock Bar across the back of the pedestal column. Use the ¾" S.S. Hex bolt, Nylon Lock Bar Spacer and a Kep nut on each side to fasten the Tank Lock Bar in place. This spreads and holds the correct spacing at the back of the column.



Step 2: Attach the Base to the Pedestal (Fig. 11)

1. Before bolting the pedestal column to the base, the 2-piece gasket must be installed to create a barrier between the two metals. Remove the backing strips from the gasket to expose the adhesive and stick the gasket to the bottom lip of the pedestal column. **Make sure to align the holes.**
2. Attaching the pedestal column to the base will be easier to handle by laying the pedestal column face down and matching the holes on the pedestal column lip to the holes on the base. Use six ¾" bolts, four large rectangular washers, and on the underside six round washers and KEP nuts.

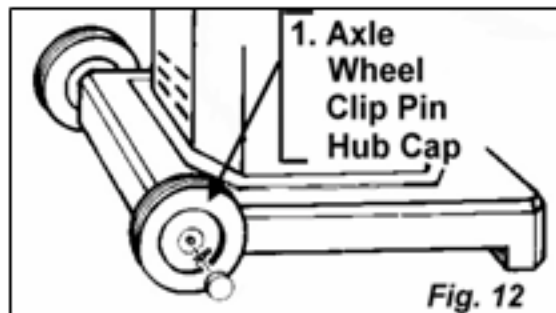
IMPORTANT: the large rectangular washers are used at the sides on top of the pedestal column lip. The round washers and KEP nuts are used under the base. Tighten securely and stand unit upright.



Mountings

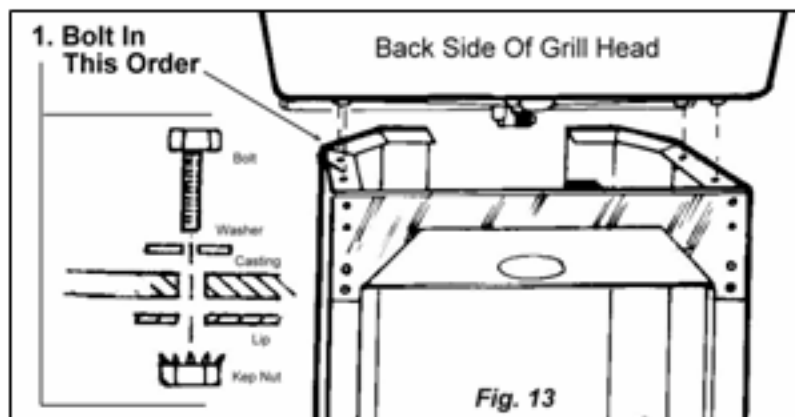
OPTION: For Portable Base Only: (Fig. 12)

1. Attach the wheels by slipping the axle through the base, slide the wheels on and secure with the axle clips. Finish by snapping the hub caps on before standing unit upright. For units with casters, place caster stem into stem opening of the portable base, press and snap into place. (Fig. 12A)



Step 3: Connect the Grill Head Bottom (Fig. 13)

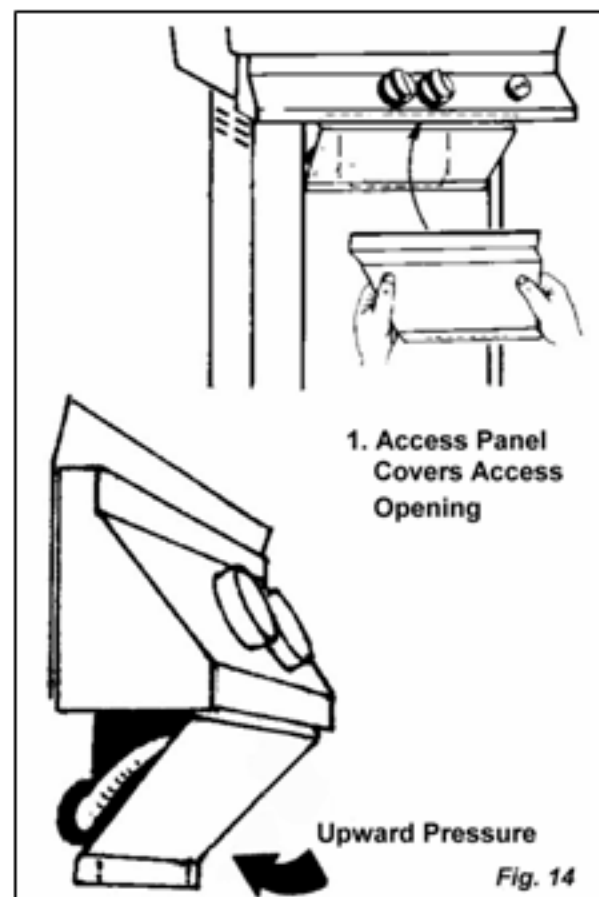
1. Attach the grill head bottom to the pedestal column top with four 1/4 - 20 x 1 1/2" Hex bolts, washers under the bolt head and Kep nuts. Peel the remaining protective coating off the pedestal column.



Step 4: Attaching the Access Panel (Fig. 14)

Note: Do not attach the front access panel until the control panel has been attached to the grill head bottom and the gas supply line has been properly connected and leak tested.

1. The front access panel attaches directly under the control panel and hides the access opening. Lift the access panel up behind the lip of the control panel, then slip the bottom double edge of the access panel (upward pressure may be needed) over the edge of the access opening.



When you complete the mount assembly go to the appropriate Grill Assembly Section and assemble the grill head.

Caution: Combustible material should never be within 18 inches of the bottom, back or sides of your MHP Gas Barbecue Grill.